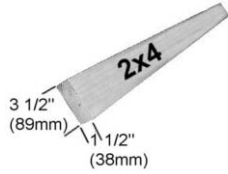


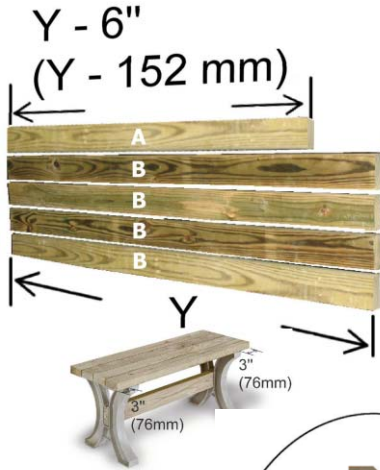
**2x4basics<sup>®</sup>**  
**OUTDOOR FURNITURE**  
**ANYSIZE TABLE** 



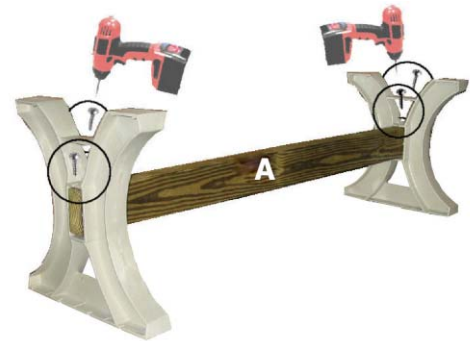
#10x1"  
(4.75mmx25mm)



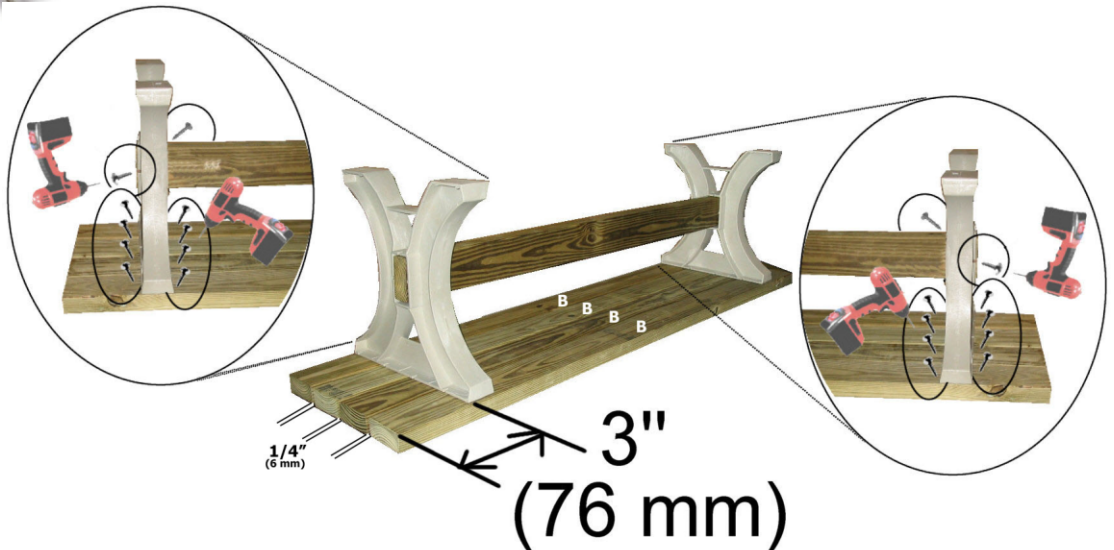
**1**



**2**



**3**



**Full Lifetime Warranty** for this 2x4basics product purchased for normal household use in North America and Japan. Blitz warrants this product to the original purchaser against any defect due to faulty material or workmanship. Blitz will repair, replace, or refund the purchase price of the product at the option of Blitz, upon return of the product and the original receipt. In the US, this warranty gives you specific legal rights that may vary from state to state.



404 26th Ave. NW  
Miami, OK 74354



Please visit our website for more project ideas: [www.2x4basics.com](http://www.2x4basics.com)

